

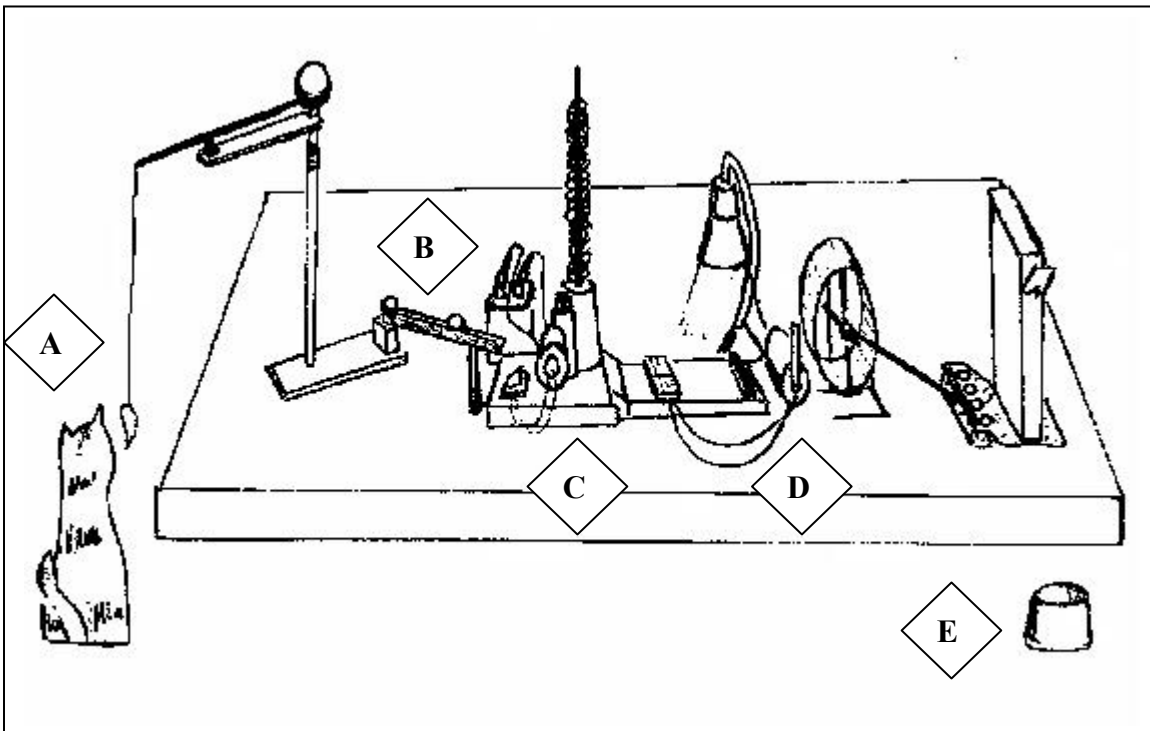


## Cat-Traption Action Questions

View the Cat-Traption online animation.

<http://www.learner.org/channel/workshops/energy/cattraption/catruntrhu.html>

Answer each question below.



- (Area A above)
1. What is the ultimate source of the energy that starts the Cat-Traption operating?
    - A. The Cat
    - B. The Cat's last meal
    - C. The Sun
    - D. Gravity
- (Area B above)
2. Not all the energy of the first ball causes the second ball to roll. What happened to the rest of the energy?
    - A. It is converted to heat
    - B. It is converted to sound
    - C. Both of the above
    - D. It is used up and disappears



- (Area C above) 3. What energy causes the cup to rise, releasing the mechanical mouse?
- A. Kinetic energy from the steel ball
  - B. Gravitational potential energy from the plastic cup
  - C. Chemical potential energy from the battery
  - D. Elastic potential energy from the spring
- (Area D above) 4. What conditions would reduce the amount of energy transferred from the solar cell to the motor?
- A. Raising the lamp higher above the solar cell
  - B. Moving the solar cell partially out from under the lamp
  - C. Using a dimmer bulb in the lamp
  - D. All of the above
  - E. None of the above
- (Area E above) 5. Did the cat feed itself?
- A. Yes, because the cat started the chain reaction Of the Cat-Traption that resulted in the feeding
  - B. No, because the Cat-Traption couldn't work without energy from things like batteries, springs and gravity that the cat did not provide
  - C. Yes, because the cat's paws provide the energy that moved through the Cat-Traption, causing each step to function
  - D. No, because *people* set up the Cat-Traption that fed the cat